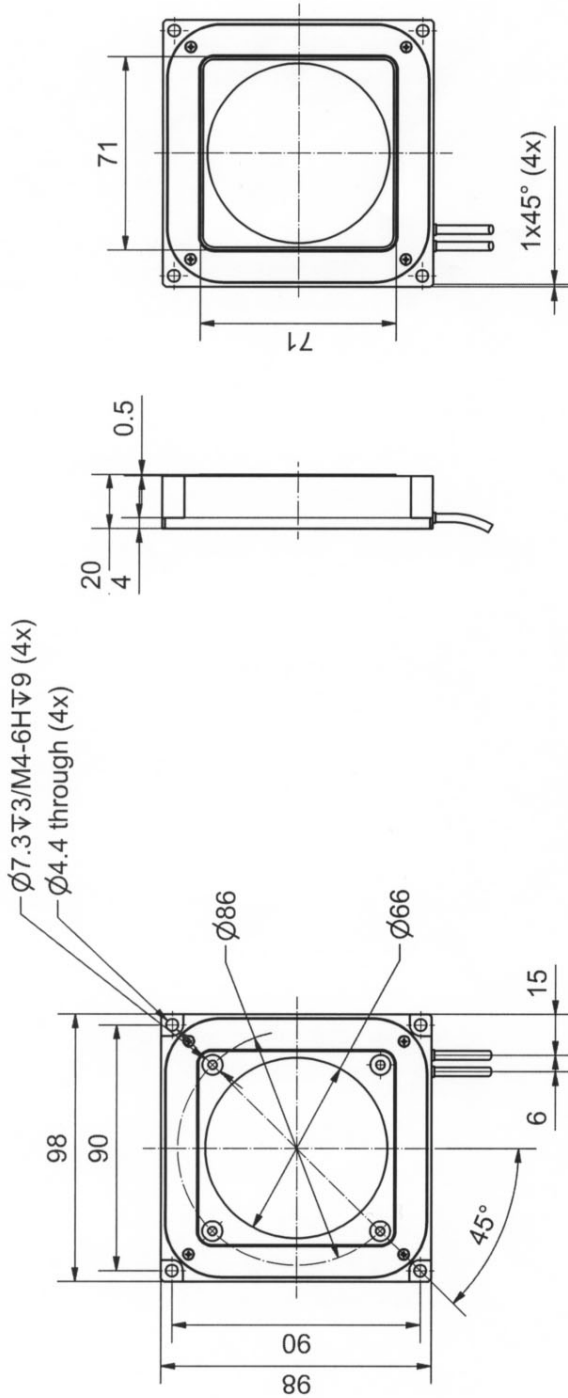


COMPETENCE
IN PRECISION

ORIGINAL

dimensions [mm]
bore hole tolerances ± 0.05

part-no.	S-644-00	part-name	PXY16ENV OEM
file name	S_644_00AZ01	OK: date/sign.	09. NOV. 2012
		scale	1:2
		customers drawing	piezosystem jena



L

piezosystem jena GmbH

Prüssingstraße 27 • 07745 Jena • HRB Gera 2823 • VAT ID-Nr. DE 150531409

Konten: Commerzbank BLZ 820 400 00, KTO 258 420 9 • Deutsche Bank BLZ 820 700 24, KTO 531 571 8

Tel. + 49 (3641) 66 88 0 • Fax +49 (3641) 66 88 66 • e-Mail info@piezोजना.com •

<http://www.piezोजना.com/>